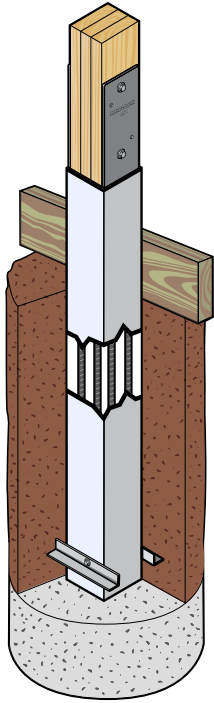


- Installs the same as standard post-frame columns
- Builds the same as post-frame construction
- Lasts for generations

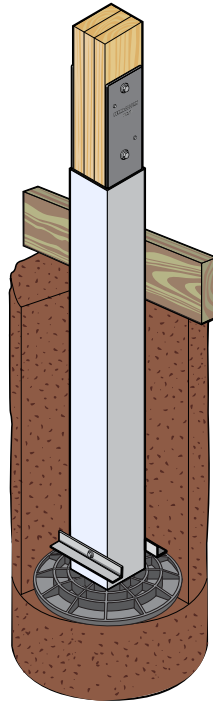


**HOW TO INSTALL:** Place concrete pads or equivalent in bottom of hole. Tilt Perma-Column® off skid-loader forks into post hole. Perma-Column® must be placed so that the top of the precast concrete is above finished grade no more than 12-inches and no less than 8-inches in accordance with IBC Section 2304.12.2.2. Plumb the column using standard leveling procedures. Backfill the hole with suitable compacted soil, wet-poured concrete, or a self-leveling and self-compacting cementitious material.

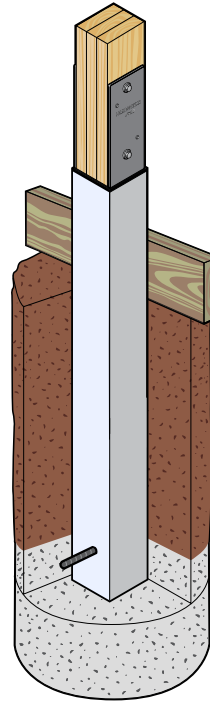
**IMPORTANT NOTE:** Steel bracket and the concrete column must not be cut or modified in any way.



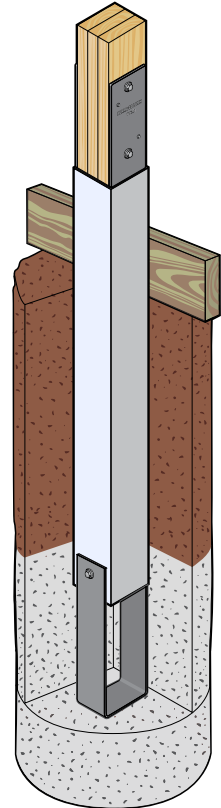
**Precast concrete footing pad with uplift anchors**



**Composite footing pad with uplift anchors**

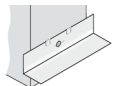


**Concrete collar**



**Column extender**

**UPLIFT ANCHOR**



Attach uplift anchors and column extenders to sleeve at bottom of Perma-Column® with 1/2" bolt, tighten firmly until component stops rotating. 1/2" x 7" bolt and nut required for PC6300, PC6400 and PC6600. 1/2" x 9" bolt and nut required for PC8300, PC8400 and PC8500.

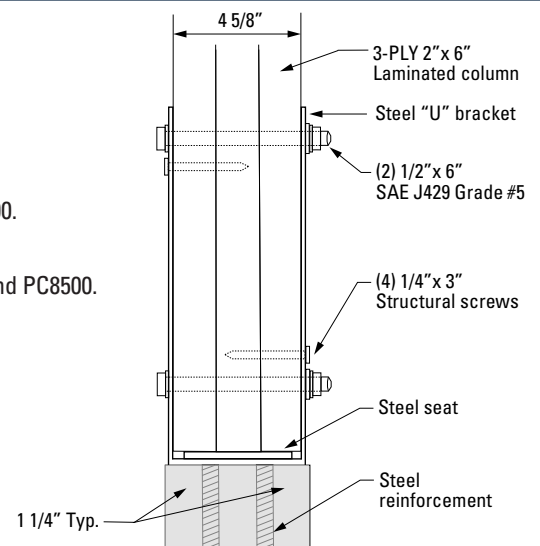
**Fasteners required to secure wood columns to steel bracket:**

- (4) 1/4" x 3" Structural screws required (refer to ESR-4238 for specifications) for PC6300, PC6400 and PC6600.
- (8) 1/4" x 3" Structural screws required (refer to ESR-4238 for specifications) for PC8300, PC8400 and PC8500.
- (2) 1/2" x 6" SAE J429 Grade #5 HHCS bolt, nut and washer required for PC6300 and PC8300.
- (2) 1/2" x 7" SAE J429 Grade #5 HHCS bolt, nut and washer required for PC6600.
- (2) 1/2" x 8" SAE J429 Grade #5 HHCS bolt, nut and washer required for PC6400, PC8400 and PC8500.

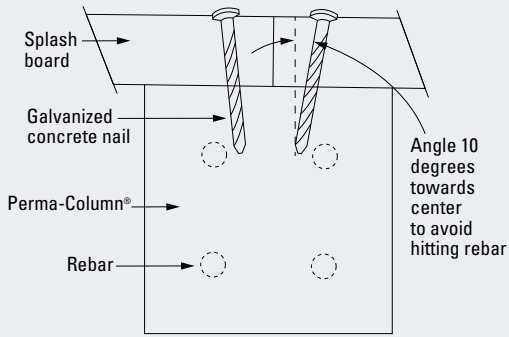
**Drilling instructions:** Holes must be drilled precisely perpendicular to column; widening misaligned holes in wood or steel is not acceptable.

**Torque requirements:** When using 1/2" SAE J429 Grade #5 bolts, insert into drilled holes and tighten nuts to approximately 110-foot pounds of torque.

**NOTE:** Download our product guide for solid, nail lam and glu lam model options and associated hardware kits, available on our website.



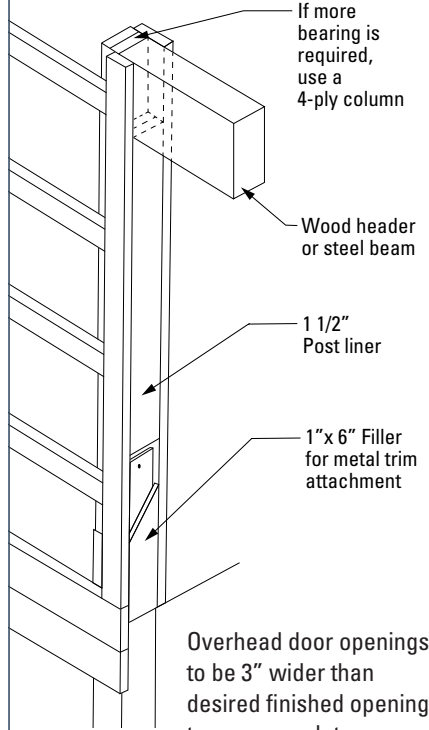
## SKIRTBOARD ATTACHMENT



1. Drill 3/16" hole with masonry drill bit (1¼" deep)
2. Locate hole 1¾" from edge and angle 10 degrees
3. Use galvanized 3/16" x 2½" concrete nails

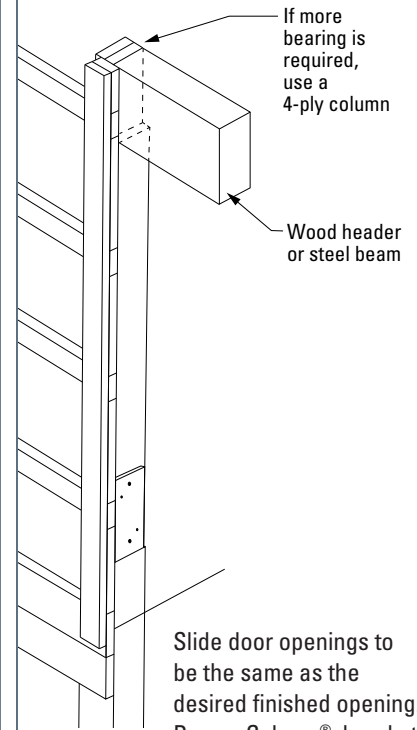
**NOTE:** Avoid using concrete screws and concrete nail gun. Most are not designed for high-strength concrete and result in screws being stripped, heads twisting off, or surface chipping.

## OHD DOOR JAMB



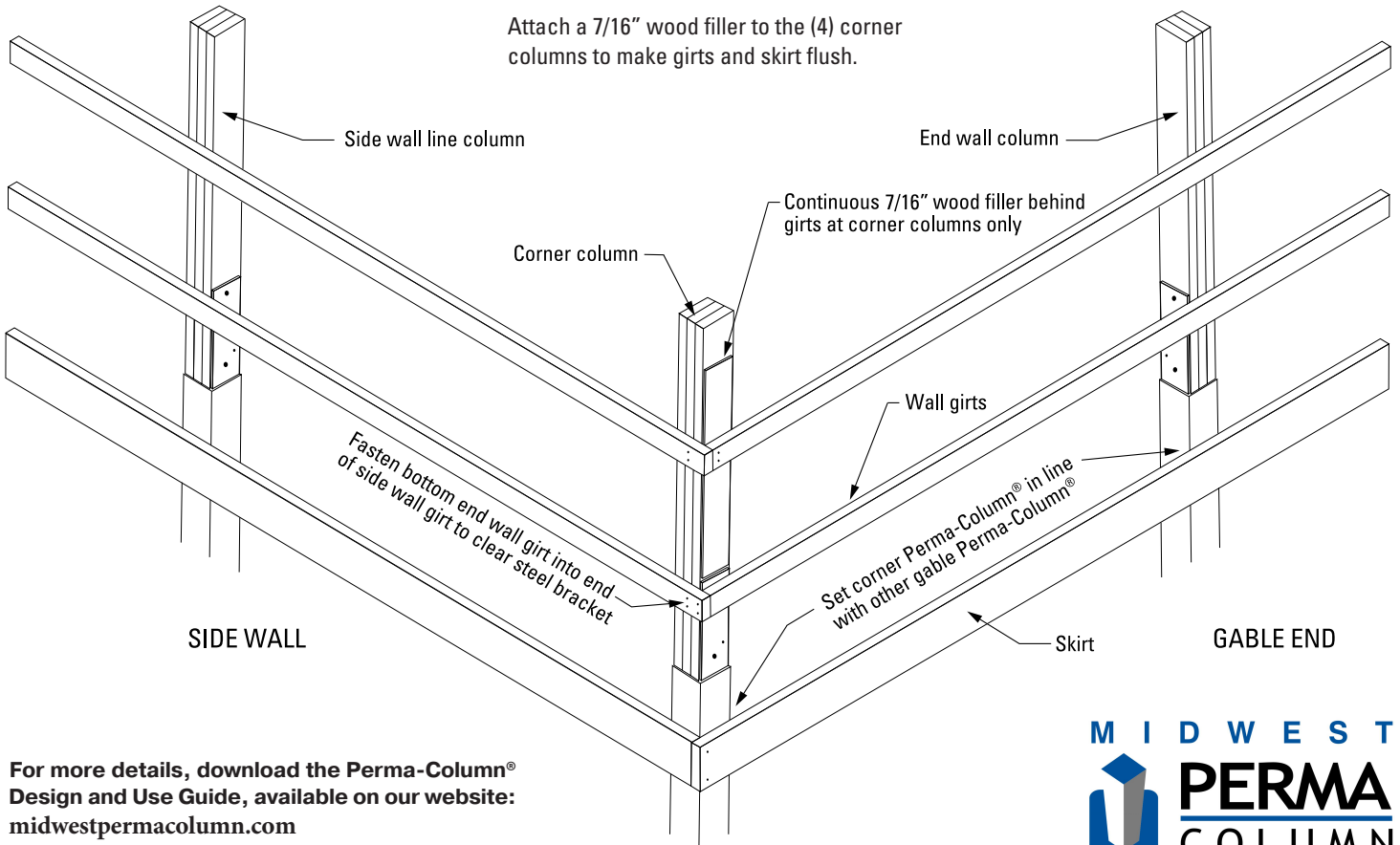
Overhead door openings to be 3" wider than desired finished opening to accommodate 1½" Perma-Column® bracket trim-out.

## SLIDE DOOR JAMB



Slide door openings to be the same as the desired finished opening. Perma-Column® brackets intrude into the slide door opening by 3/8".

## TYPICAL BUILDING CORNER CONSTRUCTED WITH PERMA-COLUMN®



For more details, download the Perma-Column® Design and Use Guide, available on our website: [midwestpermacolumn.com](http://midwestpermacolumn.com)

**BUILD BETTER. BUILD STRONGER. BUILD TO LAST.**

M I D W E S T  
**PERMA**  
C O L U M N

[midwestpermacolumn.com](http://midwestpermacolumn.com)